



TAMETA is a modern and timelessly elegant hallway furniture range. Apparently frameless glass surfaces and the ability to fit full-length plinth and cover shelves make your hallway unit unique: single units, wall panels, shelves and mirrors can be combined with one another at will to form complete hallway arrangements.

- **Various single units** in 4 heights, which can be combined at will
- **Wall units** for fitting anywhere on walls
- **Clothes unit mirror** with all-round aluminium frame
- **Accessories:** clothes hangers, protective mats, umbrella stands, utensil basket, wall shelves
- **Doors, drawers and flap units with rear-lacquered glass front** as well as **doors with rear-lacquered glass front and clear glass inset**, optionally in rear-lacquered white, sand or black, in an aluminium frame
- Max. load of wooden and glass (fitted) shelves (up to 75 cm wide) and drawers: 25 kg
- Max. load of wooden and glass (fitted) shelves (from 75 cm wide): 15 kg
- **hülsta-SilentStop:** all doors on units with door cushioning device
- **hülsta-SoftFlow:** drawers on hidden roller bearings with automatic cushioning device as fully pullout units
- **IMPORTANT NOTE!** The single units offered in this list are to be viewed as suggestions and can only show an excerpt from the many possible arrangements. Furthermore, you can also choose different combinations from the individual ranges (see the "Ideas for living" price list).

Important notes: Fittings for wall mounting are provided with nearly all the units which should be used for your own safety and for constructional reasons. The assembly materials supplied by hülsta (plugs, screws) are only suitable for fitting components on to concrete and/or solid walls. Ideally, one should inquire about the soundness of the walls with regard to their suitability for mounting units when orders are placed and be sure to check them later before mounting any units. If any surfaces are not suitable for mounting units (e.g. plastered or lighter wall materials), one should use another method better suited to the material on site.

List of versions

NEW Front versions of rear-lacquered glass must now be ordered using the model number!


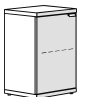

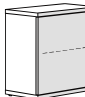


Model no.	Versions (without front)	Price gr.	Model no.	Versions front	Price gr.
NEW 283	White lacquer	I	NEW 283	White lacquer	I
NEW 289	Sand lacquer	I	NEW 289	Sand lacquer	I
NEW 296	Light brown ash	I	NEW 296	Light brown ash	I
NEW 290	Core walnut	I	NEW 290	Core walnut	I
			NEW 291	Rear-lacquered glass, white	II
			NEW 292	Rear-lacquered glass, sand	II
			NEW 293	Rear-lacquered glass, black	II

In TAMETA colour combinations within individual units are possible. In this case please state the model number clearly and separately in the order! When versions from different price groups are exchanged, the higher price group is always charged.

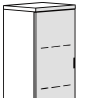
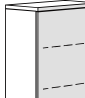





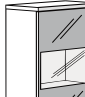
TAMETA 4 Raster single units

Accessories for single units see page 16!

HALLWAYS

<p>4 Raster single units 75.2 cm high; 40.0 cm deep</p> <p>Information on full-length plinth and cover shelves as well as on glass fronts: see 6 Raster single units!</p>	1 door	1 door	3 drawers	3 drawers
	  50 cm wide	  75 cm wide	 50 cm wide	 75 cm wide
Price gr.	454310 L 454320 R	474310 L 474320 R	454300	474300
I	-	-	-	-
II	-	-	-	-

6 Raster single units

<p>6 Raster single units 110.4 cm high; 40.0 cm deep</p> <p>Full-length plinth shelves: If several units are planned, there is also the possibility of ordering a full-length plinth shelf (see page 17).</p> <p>Full-length cover shelves: There is also the possibility of ordering full-length cover shelves up to 250 cm width (no surcharge). Please state in order.</p> <p>Interior fittings: Fitted wooden shelves are fitted ex-works behind wooden doors and rear-lacquered glass doors at 2 Raster intervals.</p> <p>Rear-lacquered glass fronts (high-gloss); glass fronts in aluminium frame, panels of rear-lacquered glass; see here the information on page 12.</p> <p>Changing versions: In TAMETA colour combinations within individual units are possible. In this case please state the model number clearly and separately in the order! When versions from different price groups are exchanged, the higher price group is always charged.</p>	1 door	1 door	4 drawers	4 drawers
	 50 cm wide	 75 cm wide	 50 cm wide	 75 cm wide
Price gr.	654310 L 654320 R	674310 L 674320 R	654300	674300
I	-	-	-	-
II	-	-	-	-
	1 door with rear-lacquered glass front and clear glass inset	1 door with rear-lacquered glass front and clear glass inset		
	  50 cm wide	  75 cm wide		
Price gr.	654510 L 654520 R	674510 L 674520 R		
I	-	-		
II	-	-		

TAMETA 8 Raster single units **NEW**

Accessories for single units see page 16!

List of versions: see page 12

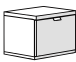
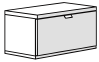
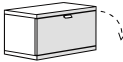
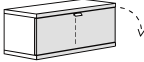
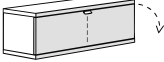
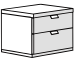

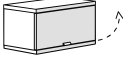
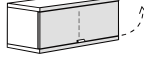
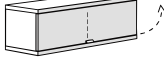
<p>8 Raster single units 145.6 cm high; 40.0 cm deep</p> <p>Full-length plinth shelves: If several units are planned, there is also the possibility of ordering a full-length plinth shelf (see page 17).</p> <p>Full-length cover shelves: There is also the possibility of ordering full-length cover shelves up to 250 cm width (no surcharge). Please state in order.</p> <p>Interior fittings: Fitted wooden shelves are fitted ex-works behind wooden doors and rear-lacquered glass doors at 2 Raster intervals and fitted glass shelves are fitted behind doors with a rear-lacquered glass front and clear glass inset behind the clear glass inset.</p> <p>Rear-lacquered glass fronts (high-gloss): glass fronts in aluminium frame, panels of rear-lacquered glass; see here the information on page 12.</p> <p>Changing versions: In TAMETA colour combinations within individual units are possible. In this case please state the model number clearly and separately in the order! When versions from different price groups are exchanged, the higher price group is always charged.</p>	1 door		2 doors		1 door		2 doors		
	50 cm wide		50 cm wide		75 cm wide		75 cm wide		
	Price gr.	854310 L 854320 R		854210 L 854220 R		874310 L 874320 R		874210 L 874220 R	
		-		-		-		-	
	1 door, 3 drawers		1 door with rear-lacquered glass front and clear glass inset		1 door, 3 drawers		1 door with rear-lacquered glass front and clear glass inset		
	50 cm wide		50 cm wide		75 cm wide		75 cm wide		
Price gr.	854110 L 854120 R		854510 L 854520 R		874110 L 874120 R		874510 L 874520 R		
	-		-		-		-		

12 Raster single units


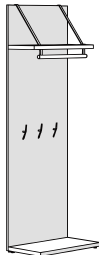
<p>12 Raster single units 216.0 cm high; 40.0 cm deep</p> <p>Full-length plinth shelves: If several units are planned, there is also the possibility of ordering a full-length plinth shelf (see page 17).</p> <p>Full-length cover shelves: There is also the possibility of ordering full-length cover shelves up to 250 cm width (no surcharge). Please state in order.</p> <p>Interior fittings: Fitted wooden shelves are fitted ex-works behind wooden doors, mirror doors and rear-lacquered glass doors at 2 Raster intervals and fitted glass shelves are fitted behind doors with a rear-lacquered glass front and clear glass inset behind the clear glass inset.</p> <p>Rear-lacquered glass fronts (high-gloss): glass fronts in aluminium frame, panels of rear-lacquered glass; see here the information on page 12.</p> <p>Changing versions: In TAMETA colour combinations within individual units are possible. In this case please state the model number clearly and separately in the order! When versions from different price groups are exchanged, the higher price group is always charged.</p>	2 doors		2 doors NEW		1 door, 3 drawers NEW		1 door, 3 drawers NEW				
	50 cm wide		75 cm wide		50 cm wide		75 cm wide				
	Price gr.	154310 L 154320 R		174310 L 174320 R		154110 L 154120 R		174110 L 174120 R			
		-		-		-		-			
	1 door with rear-lacquered glass front and clear glass inset		1 door with rear-lacquered glass front and clear glass inset, NEW		1 door with rear-lacquered glass front and clear glass inset NEW		1 door with rear-lacquered glass front and clear glass inset, NEW		1 mirror door		
	50 cm wide		50 cm wide		75 cm wide		75 cm wide		75 cm wide		
	Price gr.	990005 L 991005 R		154210 L 154220 R		174510 L 174520 R		174210 L 174220 R		174910 L 174920 R	
		-		-		-		-		-	

TAMETA 2 Raster wall units for fitting anywhere on walls

HALLWAYS

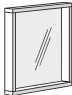
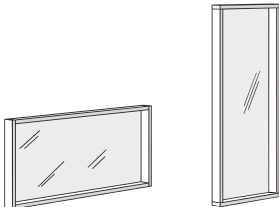
<p>2 Raster wall units 38.5 cm high; 40.0 cm deep</p> <p>Full-length bottom cover shelves: If several units are planned, there is also the possibility of ordering a full-length bottom cover shelf (see page 17).</p> <p>Full-length cover shelves: There is also the possibility of ordering full-length cover shelves up to 250 cm width (no surcharge). Please state in order.</p> <p>Rear-lacquered glass fronts (high-gloss): glass fronts in aluminium frame, panels of rear-lacquered glass; see here the information on page 12.</p> <p>The wall units must only be mounted on suitably strong walls. Light wall materials are not suitable for this purpose.</p> <p>Max. total load: 60 kg</p>	1 drawer		1 drawer		1 flap		1 flap with 1 partition		1 flap with 1 partition	
										
	50 cm wide		75 cm wide		75 cm wide		100 cm wide		125 cm wide	
	Price gr.	25420	27420	27480	21480	212480	-		-	
I	-	-	-	-	-	-		-		
II	-	-	-	-	-	-		-		
2 drawers		2 drawers		1 flap		1 flap with 1 partition		1 flap with 1 partition		
										
50 cm wide		75 cm wide		75 cm wide		100 cm wide		125 cm wide		
Price gr.	25410	27410	27490	21490	212490	-		-		
I	-	-	-	-	-	-		-		
II	-	-	-	-	-	-		-		

12 Raster wall panels for mounting on walls



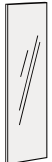
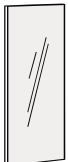
<p>12 Raster wall panels 216.0 cm high; 40.0 cm deep</p> <p>Mirror panel with all-round aluminium frame</p> <p>Clothes panel with hat rack, clothes rod (aluminium colour) and 3 bag hooks</p>	Mirror panel		Clothes panel	
				
	50 cm wide		75 cm wide	
Price gr.	157		177	
I	-		-	
II	-		-	

Mirrors

NEW







<p>Mirrors with all-round wooden frame; 10.0 cm deep; 3.3 cm thick</p>				
	75 x 75 cm		75 x 175 cm	
	750	1750		-
I	-		-	
II	-		-	

Mirrors



<p>Mirrors 2.3 cm thick</p> <p>Mirrors with all-round aluminium frame</p> <p>can be fitted horizontally and vertically</p>								
	105.6 x 50 cm		105.6 x 75 cm		140.8 x 50 cm		140.8 x 75 cm	
	657	677		857		877		-
I	-		-		-		-	
II	-		-		-		-	

TAMETA Accessories for single units

List of versions: see page 12

		for 50 cm width	for 75 cm width
 <p>Fitted wooden shelves 2.0 cm thick; 34.0 cm deep for fitting anywhere in single units</p>	Price gr. I II	053	073
		-	-
 <p>Fitted glass shelves (clear glass) 0.8 cm thick; 34.0 cm deep</p>		353	373
		-	-
 <p>Protective mat (set of 3) of transparent plastic; for drawers and fitted shelves</p>		953	973
		-	-
 <p>Pull-out clothes rod</p>		734	
		-	
 <p>Utensil basket (chrome, is fitted on the inner side of closed single units) Height: 10 cm; width: 28 cm; depth: 12 cm</p>		094	
		-	
 <p>Umbrella stand for fitting on clothes panel (aluminium colour, powder-coated); fitted left (L) or right (R). Please state in order!</p>		9071 L 9072 R	
		Height: 31.0 cm Weight: 23.4 cm Depth: 23.4 cm	-

Lamps for units **NEW**

		for 50 cm width	for 75 cm width
 <p>LED light strip for fitting in wooden shelves 12 V; 1.5-2.4 W</p>		3501	3701
		-	-
 <p>Integrated power LED spotlight for fitting in units; 3 W</p>	Remote control unit possible. Please be sure to follow the information given on pages 330-333 in the price list "Ideas for Living"!		
		Price per spotlight 7931 -	






Tip-Tronic ! **Attention:** Please be sure to follow the information given on pages 330-333 in the price list "Ideas for Living"! **NEW**

The lamps are normally operated by an external footswitch. As an alternative we can also provide a **Tip-Tronic** switch, which is charged extra. By touching the Tip-Tronic sensor (aluminium colour, Ø 1.5 cm) it is possible to switch all the lamps (230 V, up to 250 W) on and off. The Tip-Tronic unit is mounted in fitted and cover shelves. The standard position is 6 cm from the right-hand edge of the given unit, at the side of 8 and 12 Raster high single units in approx. 115 cm height and 1 cm from the rear rim of the given unit. Alternatively, the Tip-Tronic can be fitted at the side of all single units 1 cm from the rear rim of the given unit. Please mark the exact position of the Tip-Tronic sensor in the sketch! The footswitch is omitted when a Tip-Tronic unit is included.












7619

Shelves for fitting anywhere on walls; invisible, adjustable special bracket. 3.3 cm thick, 25.0 cm deep.
LED light strips, 12 V, 1.5-5.1 W, **possible from 75 cm width**. Integrated power LED spotlamps, 12 V, 3 W, are also possible, see page 16. Separate wall shelves with an LED light strip can not be fitted with a Tip-Tronic unit. Max. load: 15 kg

	without lamps	with LED light strip NEW
 50 cm wide	5025 -	
 75 cm wide	7525 -	7526 -
 100 cm wide	1025 -	1026 -
 125 cm wide	1225 -	1226 -
 150 cm wide	1525 -	1526 -










Lower cover/intermediate shelves

Lower cover/intermediate shelves, 3.3 cm thick, 40.0 cm deep, as design and connecting units for open areas or as a connecting shelf between two units.

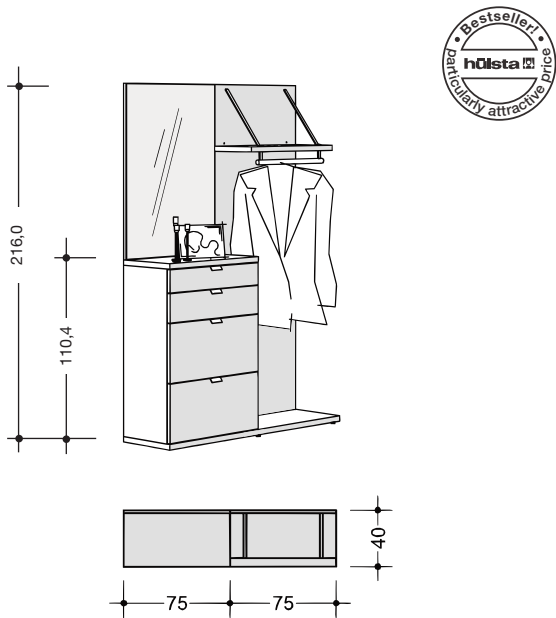
	40.0 cm deep
 50 cm wide	0504 -
 75 cm wide	0704 -
 100 cm wide	1004 -
 125 cm wide	1204 -
 150 cm wide	1504 -
 175 cm wide	1704 -
 200 cm wide	2004 -
 225 cm wide	2204 -
 250 cm wide	2504 -

Plinth shelves

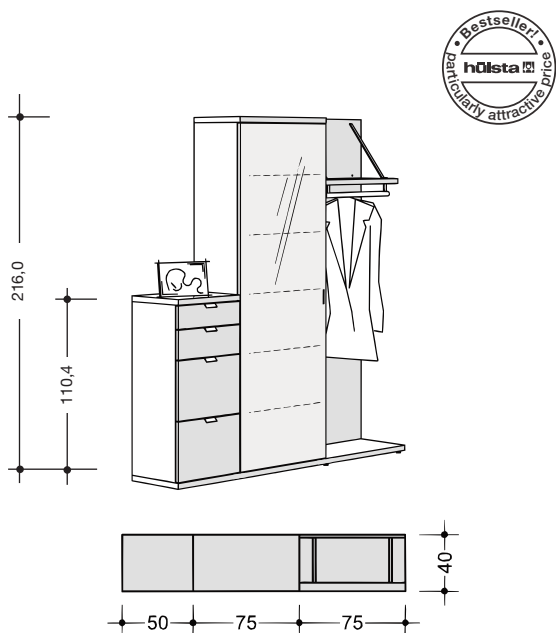
Plinth shelves, 4.8 cm high (3.3 cm thick with 1.5 cm high legs), 40.0 cm deep, as (full-length) bottom cover surface for units.

	40.0 cm deep
 50 cm wide	5400 -
 75 cm wide	7400 -
 100 cm wide	10400 -
 125 cm wide	12400 -
 150 cm wide	15400 -
 175 cm wide	17400 -
 200 cm wide	20400 -
 225 cm wide	22400 -
 250 cm wide	25400 -

Special combinations are arrangements that are reduced in price. This price advantage is only available when the arrangement is ordered exactly as described. The special combinations can be enhanced by including accessories. These are charged extra.



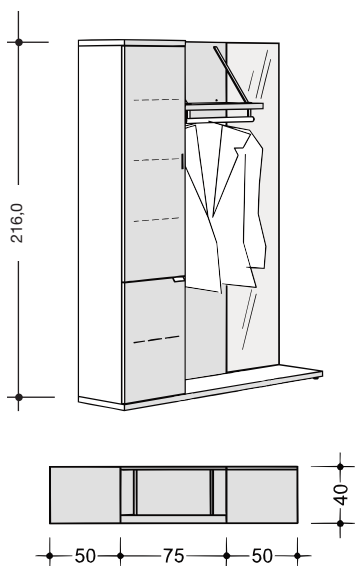
Price gr.	as illustrated	990001
I	vice versa	991001
II		-



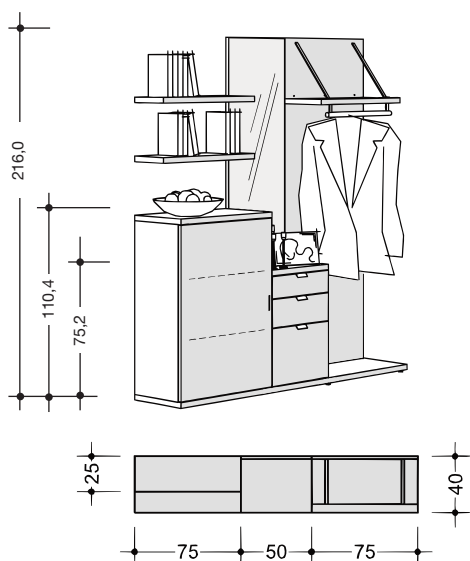
Price gr.	as illustrated	990000
I	vice versa	991000
II		-

As an alternative to planning an individual unit from the complete range there is the possibility of choosing from specially suggested combinations. This eases planning. The suggested combinations can be enhanced by including accessories. These are charged extra.

The suggested combinations are delivered ex-works with full-length plinth shelves. If separate plinth shelves are required, please state so in the order!



Price gr.	as illustrated	980015
I	vice versa	981015
II		-



Price gr.	as illustrated	980016
I	vice versa	981016
II		-